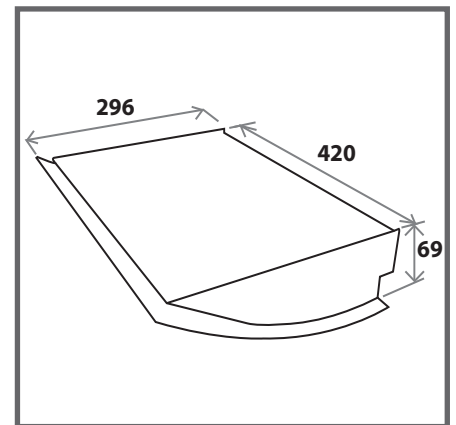


# UL300

Wall mounted LED or CFL Uplight



Installation view



Dimensions (mm)

## SPECIFICATION

### OUTPUT OPTIONS

TYPE	Lumens	ULOR	Total Load (cW)	Luminaire Efficacy (lm/cW)
2 x 55W PLL	9600	68.80%	119.0	55.5
2 x Tridonic LED Boards	5000	68.80%	42.3	81.2

LIFE: Up to 50,000 hrs  
 EFFICACY: Up to 81 lm/cW  
 CONTROLLER: PET diffuser with thermal resistance up to 960 degrees celsius  
 INGRESS PROTECTION: IP20 rated  
 EMERGENCY: Integral 3 hour emergency  
 COLOUR: Any RAL colour subject to minimum quantity