



La Linea

Ortega

Matrix



Ort wall

Surface or Suspended - Direct/Indirect

LA LINEA/ORTEGA

This range of high quality extruded aluminium luminaires is available in two styles and many combinations.

LA LINEA is a modern angular luminaire suitable for T5 lamps.

The ORTEGA is wider than LA LINEA with a rolled batwing section, creating the illusion of a substantial yet ultra shallow fitting.

STANDARD FEATURES:

Shallow section only 60mm.

Interesting and unique style, Ortega available with colour gels to create an interesting finish.

Colour finish RAL (silver) as standard or specify colour requirement - Non standard colours may be subject to minimum quantities.

Louvre manufactured from high quality MIRO material either specular (highly polished) or semi-matt and generally to comply with LG3 CAT 2.

Emergency versions are available using a dedicated T5 5 pole inverter and battery kit, suffix **SLM**.

OPTIONS

Individual: Surface, Direct only, Direct/Indirect.

Continuous: Various lengths of continuous system can be supplied. Either using standard length luminaires or special infill sections to suit specific requirements. Due to manufacturing constraints special infill lengths may be subject to minimum quantities. For continuous option please suffix luminaire options with "CS" and indicate either total length of system or number of luminaires per run. For 90 degree corner on either range suffix **ZL**, For T junction on either range suffix **ZT**.

Suspensions: Standard suspensions supplied are 1500mm drop wire with chrome clutch attachment. This maximum can be reduced on site. To specify a longer drop please suffix the product reference with SUS and length of drop required in "mm". Other styles of suspension are available, details on request.

ControlGear: As standard high frequency
Options HF DIM = 1-10V Analogue
HF DIG = Digital dimming
HF DAL= DALI compatible

Integral sensors: We can supply to suit HF, DSI or DALI with integral sensors in either single or continuous versions.

LA LINEA

Reference	Lamp	Dimension	Gear SpecularLouvre	Specular Louvre	Semi-Specular Louvre	CDP Controller	Surface direct only	Suspended downlight only	Suspended direct/indirect	Emergency
LA139SN	1 x 39WT5	912 x 164 x 60	HF	W2	W2M	MPK	FC	Suffix DW	Suffix IND	Suffix SLM
LA128SN	1 x 28WT5	1212 x 164 x 60	HF	W2	W2M	MPK	FC	Suffix DW	Suffix IND	Suffix SLM
LA154SN	1 x 54WT5	1212 x 164 x 60	HF	W2	W2M	MPK	FC	Suffix DW	Suffix IND	Suffix SLM
LA135SN	1 x 35WT5	1512 x 164 x 60	HF	W2	W2M	MPK	FC	Suffix DW	Suffix IND	Suffix SLM
LA149SN	1 x 49WT5	1512 x 164 x 60	HF	W2	W2M	MPK	FC	Suffix DW	Suffix IND	Suffix SLM
LA224SN	2 x 24WT5	612 x 164 x 60	HF	W2	W2M	MPK	FC	Suffix DW	Suffix IND	Suffix SLM
LA239SN	2 x 39WT5	912 x 164 x 60	HF	W2	W2M	MPK	FC	Suffix DW	Suffix IND	Suffix SLM
LA228SN	2 x 28WT5	1212 x 164 x 60	HF	W2	W2M	MPK	FC	Suffix DW	Suffix IND	Suffix SLM
LA254SN	2 x 54WT5	1212 x 164 x 60	HF	W2	W2M	MPK	FC	Suffix DW	Suffix IND	Suffix SLM
LA235SN	2 x 35WT5	1512 x 164 x 60	HF	W2	W2M	MPK	FC	Suffix DW	Suffix IND	Suffix SLM
LA249SN	2 x 49WT5	1512 x 164 x 60	HF	W2	W2M	MPK	FC	Suffix DW	Suffix IND	Suffix SLM

The option to use the single 80w lamp is also available as a non standard.

Example1: To specify a single 54 watt T5 with downward light only but with specular CAT2 louvre, high frequency 1-10v dimming gear and an 1800mm suspension drop: LA154SN/HF/DIM/W2/DW/SUS1800

Example2: To specify a twin 24 watt surface mounted with semi-matt louvre: LA224SN/HF/W2M/FC



ORTEGA

Reference	Lamp	Dimension	Gear Specular Louvre	Specular Louvre	Semi-Specular Louvre	CDP Controller	Surface direct only	Suspended downlight only	Suspended indirect	Emergency
SN13944PP	1 x 39WT5	915 x 294 x 60	HF	W2	W2M	MPK	FC	Suffix DW	Suffix IND	Suffix SLM
SN12844PP	1 x 28WT5	1215 x 294 x 60	HF	W2	W2M	MPK	FC	Suffix DW	Suffix IND	Suffix SLM
SN15444PP	1 x 54WT5	1215 x 294 x 60	HF	W2	W2M	MPK	FC	Suffix DW	Suffix IND	Suffix SLM
SN13544PP	1 x 35WT5	1515 x 294 x 60	HF	W2	W2M	MPK	FC	Suffix DW	Suffix IND	Suffix SLM
SN14944PP	1 x 49WT5	1515 x 294 x 60	HF	W2	W2M	MPK	FC	Suffix DW	Suffix IND	Suffix SLM
SN23944PP	2 x 39WT5	915 x 294 x 60	HF	W2	W2M	MPK	FC	Suffix DW	Suffix IND	Suffix SLM
SN22844PP	2 x 28WT5	1215 x 294 x 60	HF	W2	W2M	MPK	FC	Suffix DW	Suffix IND	Suffix SLM
SN25444PP	2 x 54WT5	1215 x 294 x 60	HF	W2	W2M	MPK	FC	Suffix DW	Suffix IND	Suffix SLM
SN23544PP	2 x 35WT5	1515 x 294 x 60	HF	W2	W2M	MPK	FC	Suffix DW	Suffix IND	Suffix SLM
SN24944PP	2 x 49WT5	1515 x 294 x 60	HF	W2	W2M	MPK	FC	Suffix DW	Suffix IND	Suffix SLM

This range is also available as single or twin 80w T5 luminaires as non-standard.

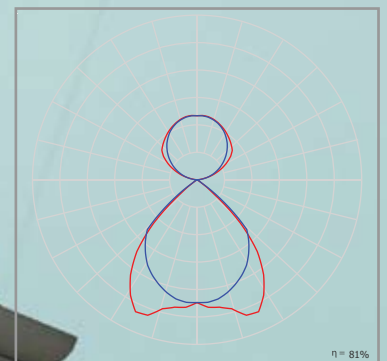
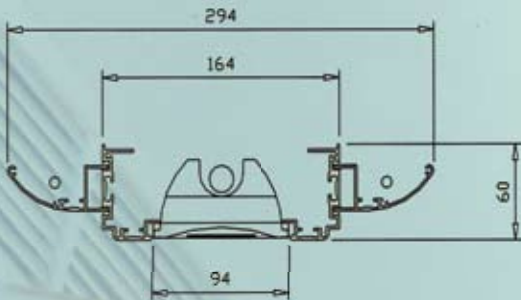
Please enquire via our Technical Department.

Example1: To specify a twin 39 watt version with semi-matt louvre, for surface mounting, finishes standard Ortega colour with 3 hour emergency kit:

SN23944PP/W2M/FC/SLM

Example2: To specify a single 49w version for continuous use with direct/indirect output HF DIG (digital) and specular LG3 CAT2 style louvre:

SN14944PP/HF/DIG/W2/CS



η = 81%

MATRIX

Reference	Lamp	Dimension	Gear Specular Louvre	Specular Louvre	Semi-Specular Louvre	CDP Controller	Surface direct only	Suspended downlight only	Suspended direct/indirect	Emergency
MX139	1 x 39WT5	912 x 164 x 60	HF	W2	W2M	MPK	FC	Suffix DW	Suffix IND	Suffix SLM
MX128	1 x 28WT5	1212 x 164 x 60	HF	W2	W2M	MPK	FC	Suffix DW	Suffix IND	Suffix SLM
MX154	1 x 54WT5	1212 x 164 x 60	HF	W2	W2M	MPK	FC	Suffix DW	Suffix IND	Suffix SLM
MX135	1 x 35WT5	1512 x 164 x 60	HF	W2	W2M	MPK	FC	Suffix DW	Suffix IND	Suffix SLM
MX149	1 x 49WT5	1512 x 164 x 60	HF	W2	W2M	MPK	FC	Suffix DW	Suffix IND	Suffix SLM
MX180	1 x 80WT5	612 x 164 x 60	HF	W2	W2M	MPK	FC	Suffix DW	Suffix IND	Suffix SLM
MX239	2 x 39WT5	912 x 164 x 60	HF	W2	W2M	MPK	FC	Suffix DW	Suffix IND	Suffix SLM
MX228	2 x 28WT5	1212 x 164 x 60	HF	W2	W2M	MPK	FC	Suffix DW	Suffix IND	Suffix SLM
MX254	2 x 54WT5	1212 x 164 x 60	HF	W2	W2M	MPK	FC	Suffix DW	Suffix IND	Suffix SLM
MX235	2 x 35WT5	1512 x 164 x 60	HF	W2	W2M	MPK	FC	Suffix DW	Suffix IND	Suffix SLM
MX249	2 x 49WT5	1512 x 164 x 60	HF	W2	W2M	MPK	FC	Suffix DW	Suffix IND	Suffix SLM
MX280	2 x 80WT5	1512 x 164 x 60	HF	W2	W2M	MPK	FC	Suffix DW	Suffix IND	Suffix SLM

Example1: To specify a single 54 watt T5 with downward light only but with specular CAT2 louvre, high frequency 1-10v dimming gear and an 1800mm suspension drop: MX154/HF/DIM/W2/DW/SUS1800

Example2: To specify a twin 39 watt surface mounted with semi-matt louvre: MX239/HF/W2M/FC

